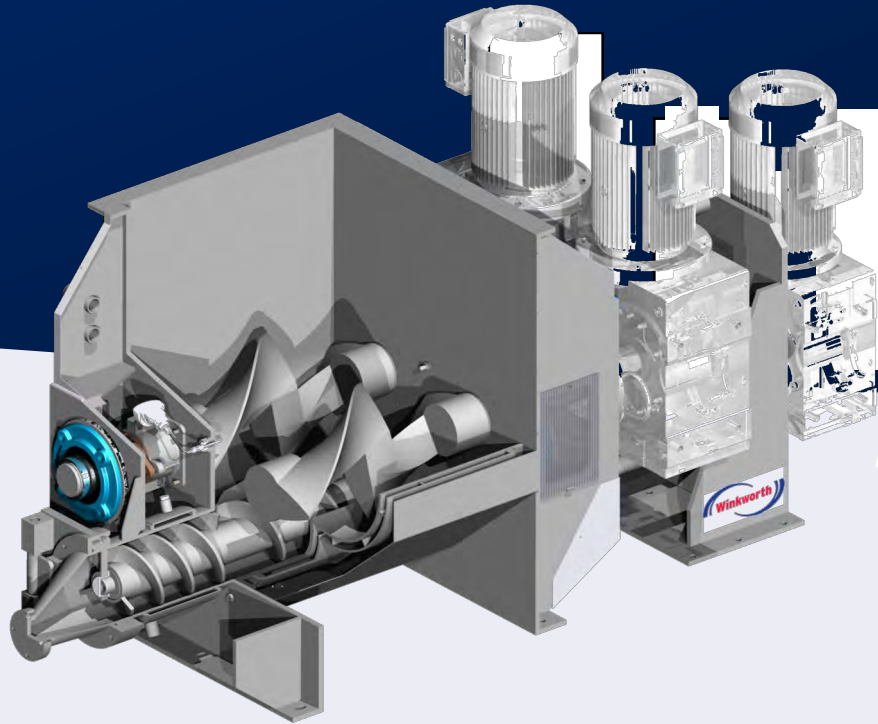


# 'ZX' Blade Production



Model	Approximate Capacity (Litres)		Trough Dimensions (mm)			Screw Diameter
	Total	Working	Length	Width	Depth	Width
ZX2	3.5	2	132	200	180	62
ZX7	11	7	250	250	250	75
ZX10	18	10	280	280	240	86
ZX20	32	22	355	360	310	110
ZX75	110	80	530	530	457	150
ZX190	250	190	700	710	597	200
ZX250	360	250	740	790	713	223
ZX500	765	500	1090	1030	735	260
ZX850	1350	850	1350	1200	900	300
ZX1450	2480	1450	1283	1600	1295	350
ZX1800	3620	1800	1600	1600	1500	350
Large Sizes	Available on request					

Winkworth  
Mixer House  
Stroudley Rd, Basingstoke  
Hampshire, RG24 8FW



**Mixing all ways**

[www.MIXER.co.uk](http://www.MIXER.co.uk)

+44 (0)1256 305 600

[info@MIXER.co.uk](mailto:info@MIXER.co.uk)