



John Cockerill

Biggest workshop in Belgium

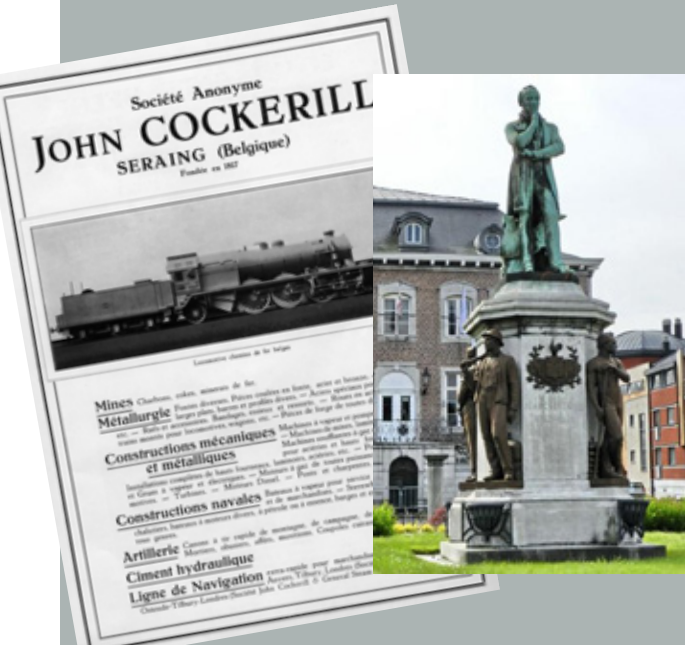
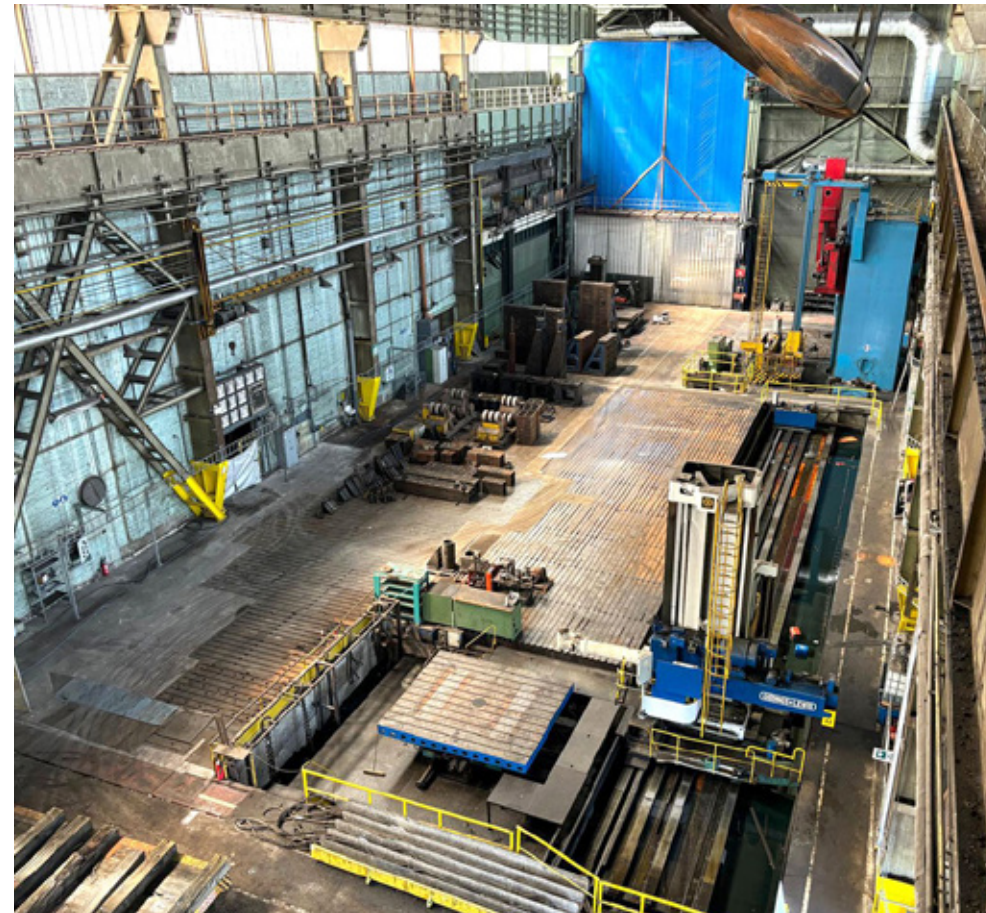
- CNC Vertical Lathe >>> Schiess Froriep 80DF > table dia: 7000 mm / max workpiece dia: 9000 mm - 315 ton / vertical: 5547 mm
- CNC Vertical Lathe >>> Schiess 32DZ > table dia: 3000 mm / max workpiece dia: 4020 mm - 40 ton / vertical: 3420 mm
- CNC Boring & Milling moving column >>> Parpas ML120-12000 > longi travel: 12 meter / vertical: 3500 mm / cross: 1250 + 650 mm
- CNC Boring & Milling moving column >>> Giddings & Lewis 65-P10-CF > longi travel: 24 meter / vertical: 4572 mm / cross: 1219 + 2133 mm
- CNC Boring & Milling moving column >>> Pegard AF16 > longi travel: 9 meter / vertical: 3000 mm / cross: 650 + 1200 mm
- CNC Table type Borer >>> Tos WHN13 > longi travel: 2 meter / vertical: 2 meter / cross: 1250 mm
- Comprehensive Toolshop with ISO 50/60 toolholders, calibers, measuring equipment, drilling-/milling- & facing tools for heavy duty machining

Everything still on location!

John Cockerill & Cie. was a Belgian iron, steel, and manufacturing company based in Liège Province, founded in 1825.

The company was one of the major iron and steel producers in western Europe throughout its existence. It was a significant producer of derived products, including rail and railway locomotives, iron production equipment, and other large-scale iron and steel constructions.

In most recent years this workshop was most know for manufacturing and machining large scale parts for the nuclear industry.



Schiess Froriep 80DF

CNC Vertical Lathe

Type: 80 DF 700/900-550/280
Original CNC machine from Schiess
(not a conversion from conventional to CNC)
Fully hydrostatic machine
Welded column
Equipped with operator lift to be able to see top of workpiece
Very high tolerance machine!

Unique feature >> there are 3 possible configurations of the main column:

- 1 - for max swing 9000 mm (how it's currently set up)
- 2 - for max swing 10 500 mm
- 3 - for max swing 13 100 mm

This can be achieved by repositioning the main column on the foundation.

Table diameter: 7000 mm
Max diameter of workpiece: 9000 mm
Max load: 315 ton
Speed: 0,25 > 25 rpm
Max rotational torque: 63 000 kgm
Max cutting force with ram extended to 900 mm: 12 500 kg
Toolhead can incline -40° to +40°
Power: 125 kW
weight of table: 71 ton

Ram section: 380 x 380 mm
Horizontal travel of ram from center of table: 5640 mm
Vertical travel of ram: 2800 mm
Max height under cross-beam: 5547 mm
Horizontal travel of cross-beam: 4700 mm
Equipped with automatic toolchanger with 3 positions
Total weight of machine: 260 ton!

[Click here to see video](#)





Parpas ML120-12000

CNC Boring & Milling moving column

Type: ML120-12000

6 axes simult. (X / Y / Z / W / B / V) + 2 axes indexing milling head (2,5°)

8 axes simult. (X / Y / Z / W / B / V) + continuous orthogonal milling head (A: +-120° / C: +-180°)

Heavy duty CNC milling & boring machine / CNC floor type borer & floor type milling

CNC indexing milling head on ram

ram size: 630 x 500 mm

without milling head you can use as borer: spindle dia 130 mm

CNC orthogonal milling head
cooling through spindle

toolchanger with 60 positions

toolchanger for changing two milling heads

chipconveyor

Siemens drives & motors

Heidenhain control & measuring rulers

weight of machine: 60 ton

dimensions of machine: 19 meter x 12 meter x 6,65 meter

TIRT3025 CNC-turntable:

- max 60 ton workpiece weight

- dimensions: 3000 x 2500 mm

- travel of turntable: 2500 mm

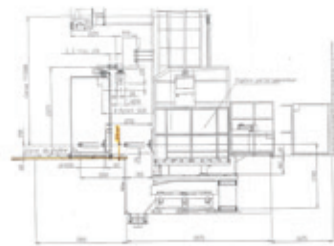
- max 2 rpm

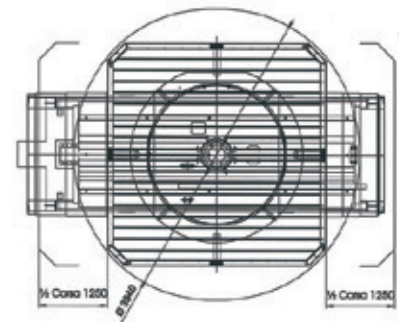
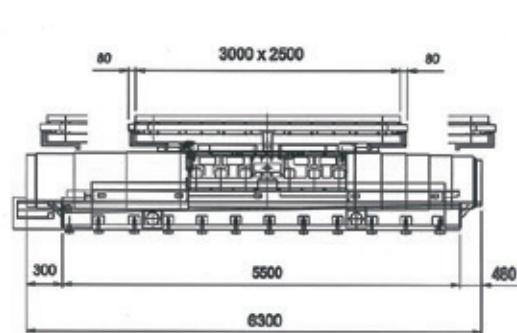
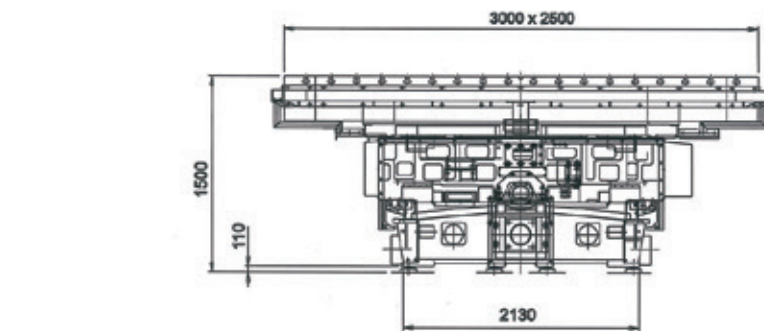
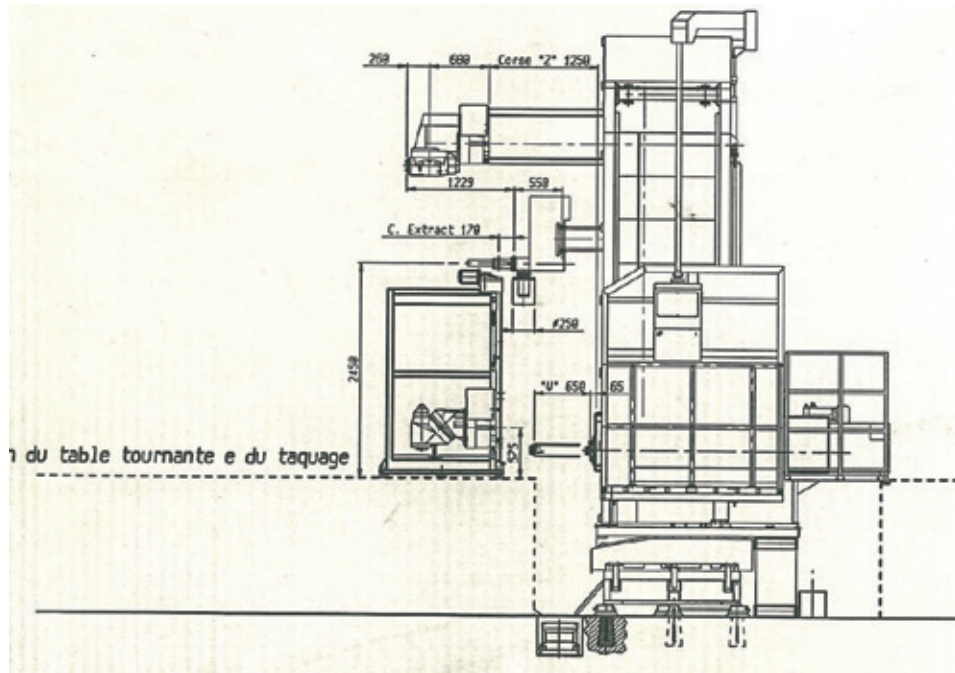
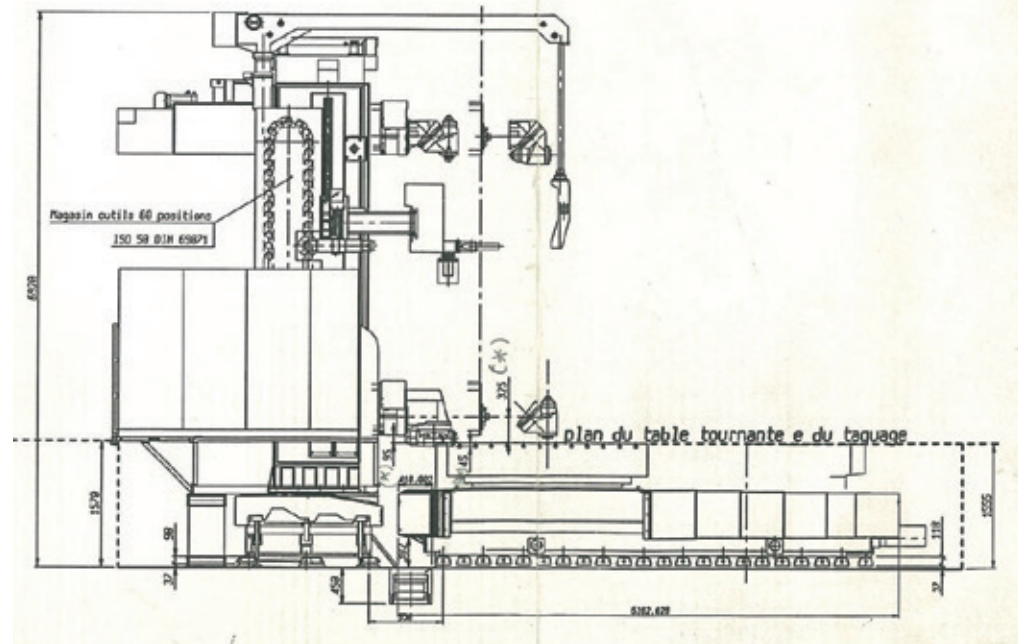
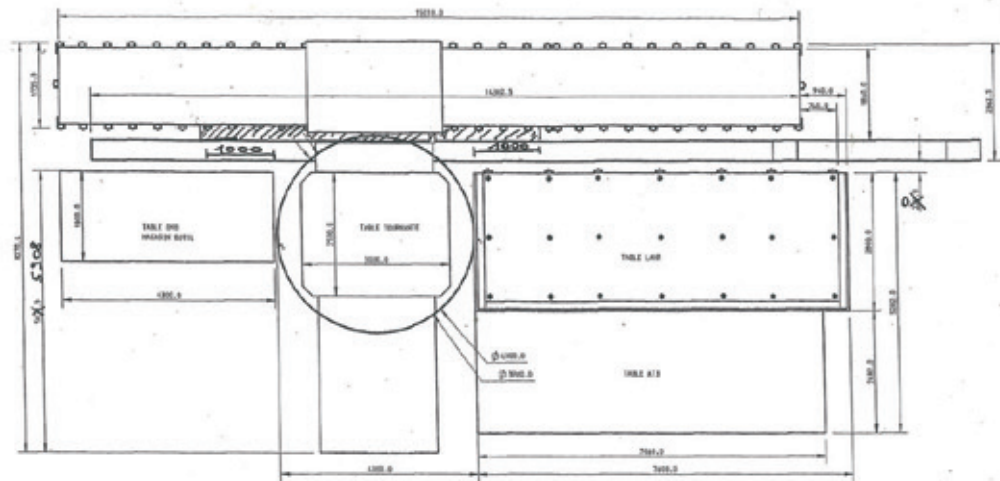
- weight of table: 37 ton

- dimensions: 6500 x 2500 x 1500 mm

T-slot tables 7600 x 5282 mm

- weight of tables: 50 ton





Giddings & Lewis 65-P10-CF

CNC Boring & Milling moving column

Type: 65-P10-CF

Heavy duty milling & boring machine

Longitudinal X-travel of column: 24 meter

Cross Z-travel of spindle: 2133 mm

incl adaptor ISO-60 to ISO-50

Cross W-travel of column: 1219 mm

Vertical Y-travel of column: 4572 mm

Longitudinal travel X-axis: 24 000 mm

Cross traverse Y-axis (table/column): 1219 mm

Vertical traverse Z-axis: 4572 mm

Spindle traverse W-axis: 2133 mm

Milling spindle taper (ISO): ISO 50

Spindle power: 85 HP / 65 kW

Dia spindle -- Spindle bore: 254 mm

Spindle speed range: 1,5 > 400 rpm

4 hardened guides

integrated lubrication

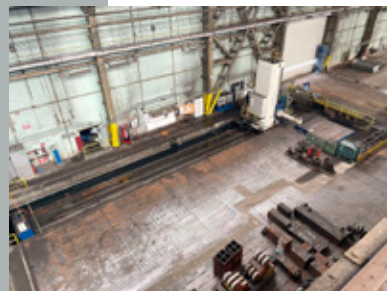
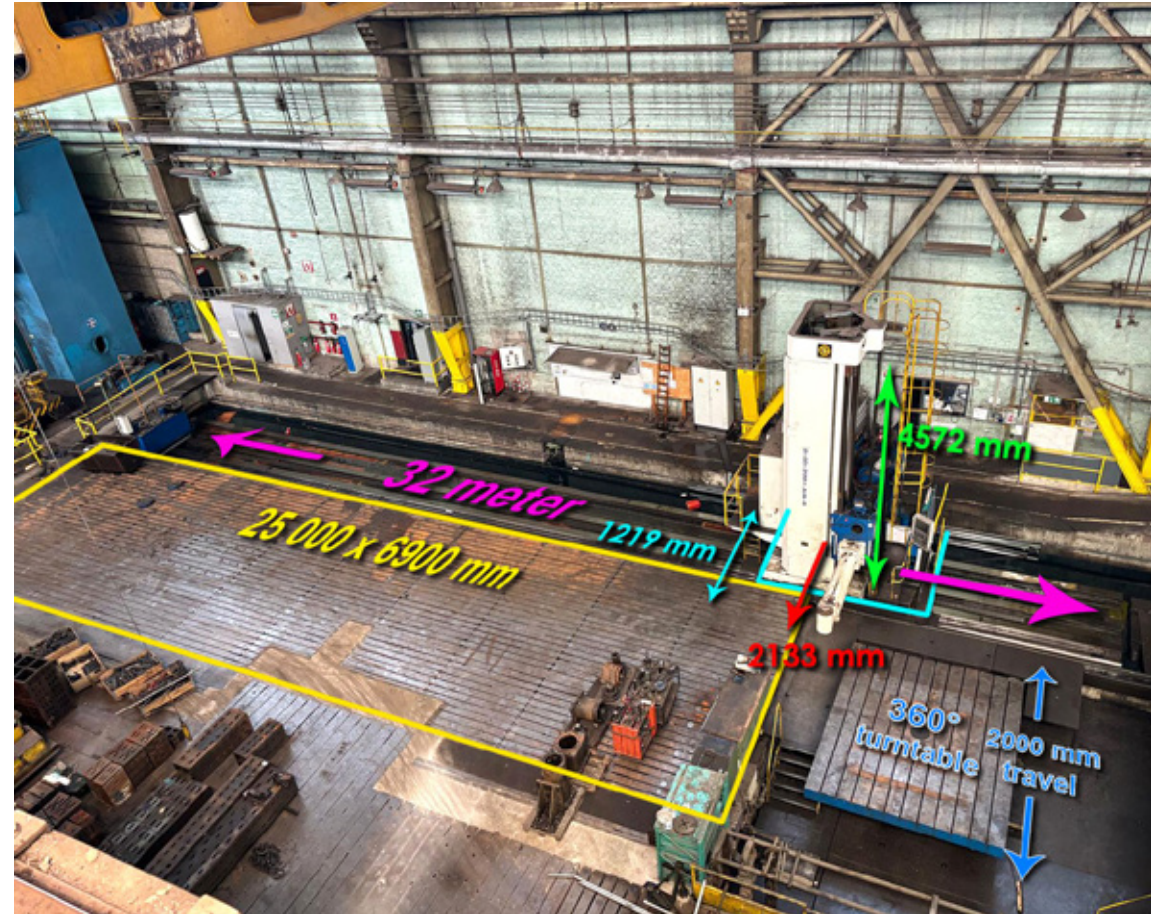
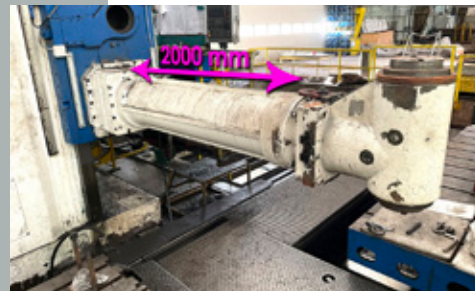
Heidenhain CNC-control (2018)

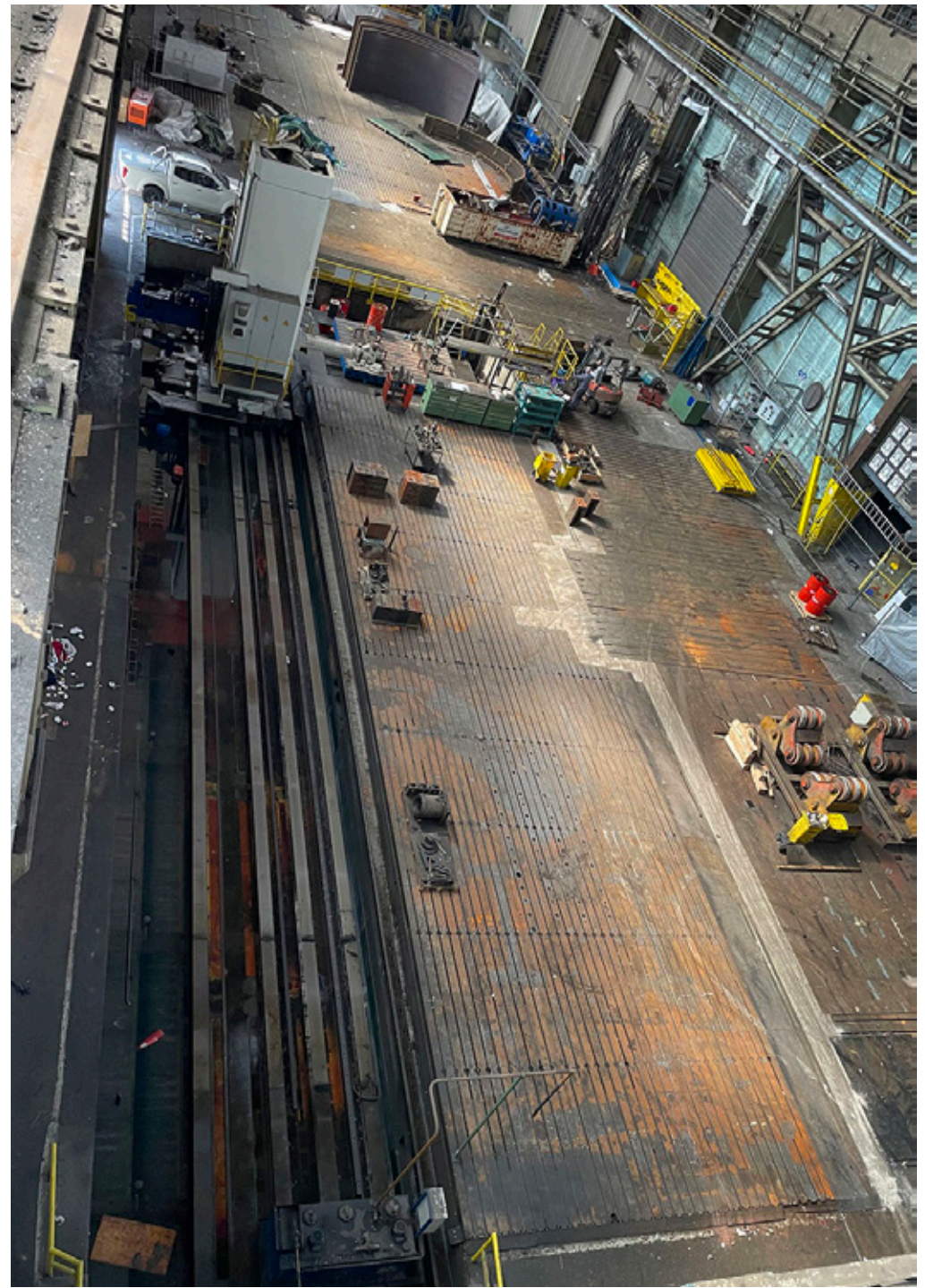
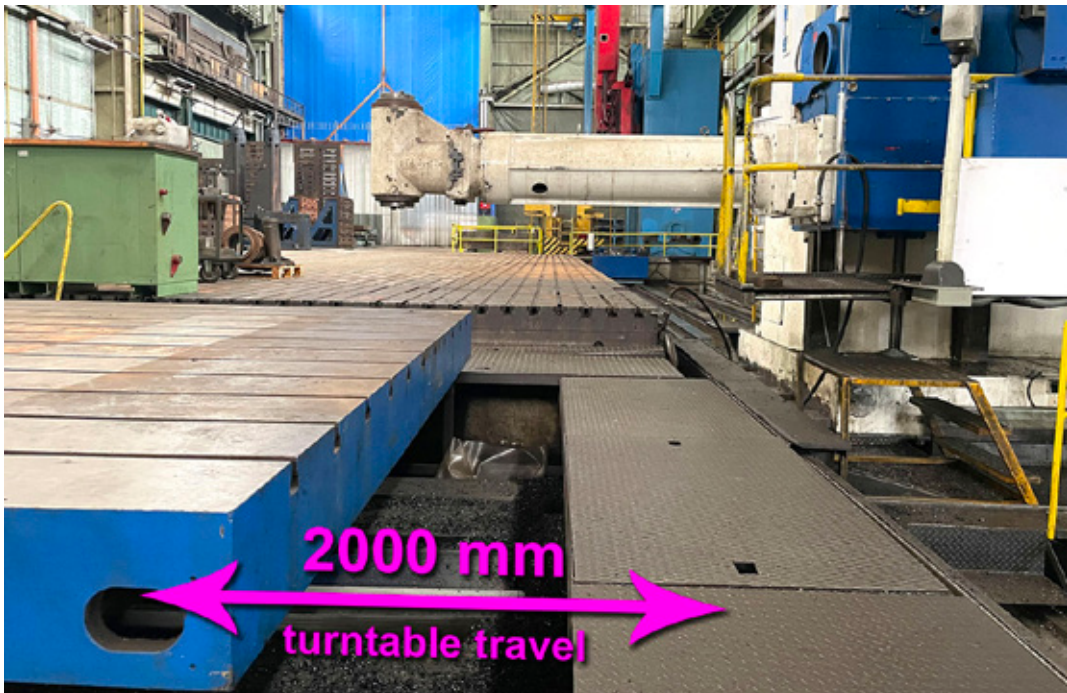
CNC Turntable: 4500 x 3500 mm

Max 60 ton on table

Cross travel of table: 2000 mm

Surface area t-slot tables: 25 000 x 6,900 mm





Pegard AF16

CNC Boring & Milling moving column

Type: 6055-AF16SMM

Machine can working with 6 axis simultaneous
2 tables CNC controlled - Continuous 360° - cross
table moving 2500 mm
Toolchanger with 90 positions

Milling head support
Drill spindle support

Longitudinal travel X-axis: 9000 mm
Cross traverse Y-axis (column): 650 mm
Vertical traverse Z-axis: 3000 mm
Spindle traverse W-axis: 1200 mm
Milling spindle taper: ISO 50
Dia spindle -- Spindle bore: 160 mm
Heidenhain TNC 530 (2018)
Rotary table dimensions
2 tables 2380 x 2380 mm
Max weight on table
2 tables x 30 ton



Schiess 32DZ

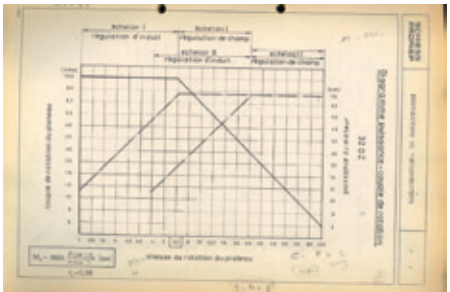
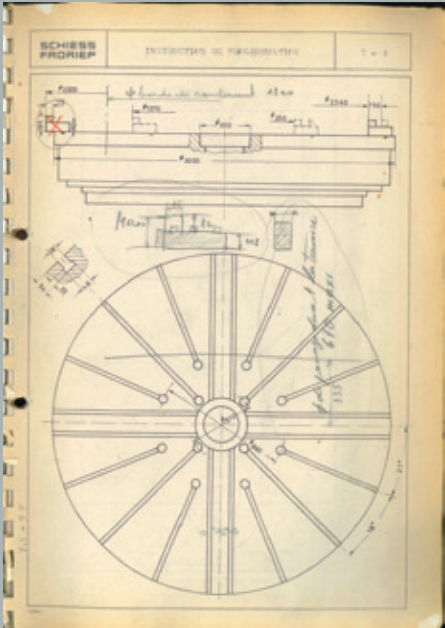
CNC Vertical Lathe

Schiess 32 DZ
 Type: 32 DZ 300/350-325/160

Table diameter: 3000 mm
 Max load: 40 ton
 Speed: 1 > 10 rpm
 Max rotational torque: 10000 kgm
 Power: 75 kW

CNC control: BOSCH

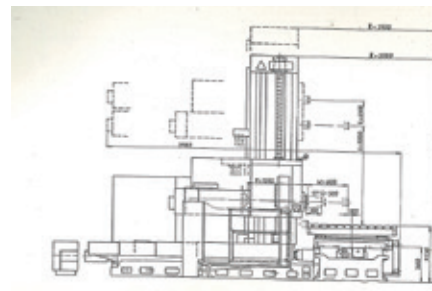
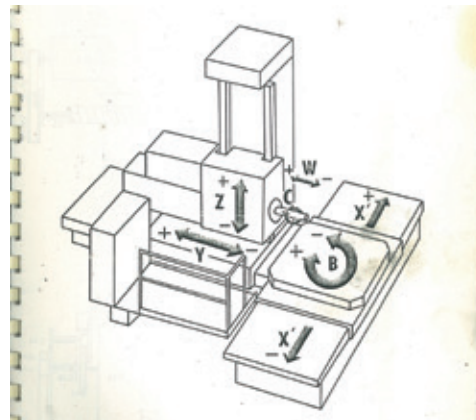
Horizontal travel of toolholder from center of table:
 2510 mm
 Vertical travel of cross-beam: 1600 mm
 Vertical travel of toolholder: 1600 mm
 Toolholder can tilt left and right 30°
 Max height under cross-beam: 3420 mm
 Max diameter of workpiece: 4020 mm
 With toolchanger 12 positions



Tos WHN13

CNC Table type Borer

Spindle Dia: 130 mm
Spindle bore: ISO 50
Table dimensions: 1800 x 2200 mm
Table longitudinal travel (X-axis): 2000 mm
Cross travel Table/colom (Y-axis): 1250 mm
Height travel head (Z-axis): 2000 mm
Max travel spindle: 800 mm
Max rotationangle table: 360°
Power on spindle: 37 kW - (10 > 1800 rpm)
Heidenhain
Length: 7045 mm
Depth: 5910 mm
Height: 4495 mm
Weight: 32 ton



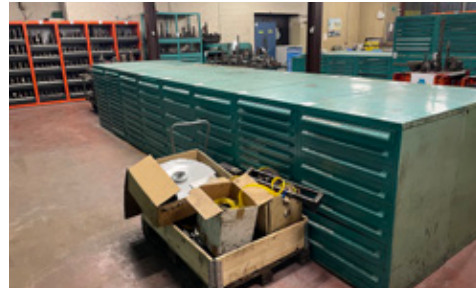
Toolshop

Incredible amount of equipment consisting of:

- ISO 50 & 60 toolholders
- all kinds of drilling- / milling- / facing tools
- all kinds of measuring equipment
- ...

Be sure to check out the video!

[Click here
to see video](#)



Overhead travelling crane

Siemens 240 ton + 120 ton + 4 ton x 23 130 mm

All movements are fully frequency controlled!!
Radio controlled
One beam has got a height of 2300 mm and a width of 1500 mm
Equipped with central lubrication
Total height of crane above rail is 4200 mm
Height of hoist on top of the crane is 2700 mm



Kardex Shuttle XP500

Type: XP500
Max total payload: 66,5 ton
90 trays

length: 3400 mm
width: 3100 mm
height: 10 meter

Sold with contents (bolts, nuts,...)

[Click here
to see video](#)



10 meter



Esab-Pema

welding rotator 450 ton

self aligning set of welding rotators
Number of wheels: 24 wheels
Dia x width wheels: dia 580 x 140 mm
Steel wheels
one driven unit
one non-driven unit
max load capacity: 300 ton
max rolling capacity: 450 ton
speed range: 60 > 1200 mm/min
min diameter of workpiece: 1000 mm
max diameter of workpiece: 7800 mm
spare wheels included

